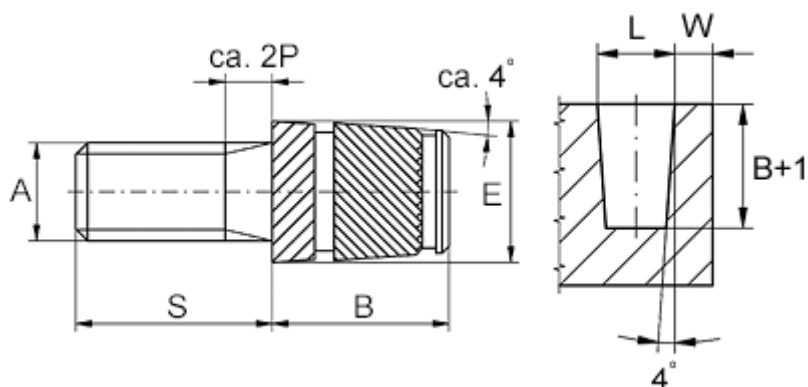


# Data Sheet



Article number: 12858100050880  
Description: KLEE-coil 858 100 050.880  
M5 Brass

## Measures



|                                    |          |
|------------------------------------|----------|
| Male thread A                      | = M5x0,8 |
| Min distance to edge W             | = 2.0    |
| Mounting length B                  | = 9.0    |
| Outer diameter E                   | = 7.2    |
| Pin length S                       | = 25     |
| Recommended bore diameter $W +0.1$ | = 6.9    |